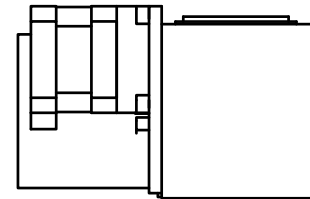
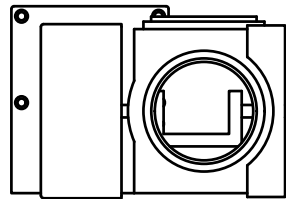
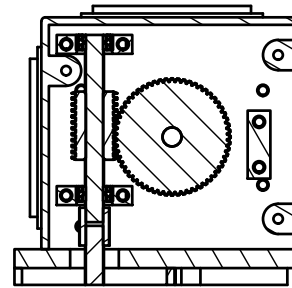
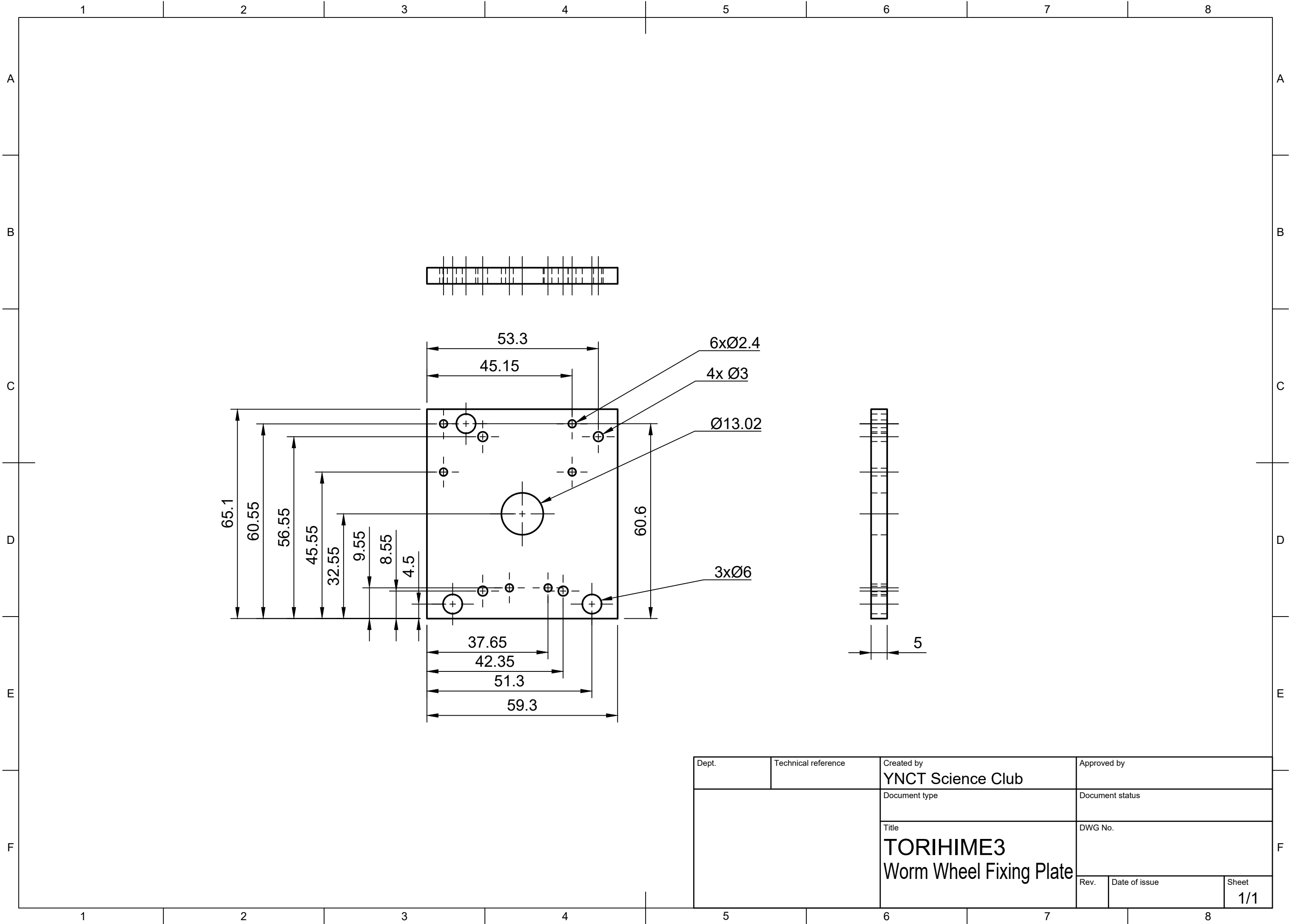


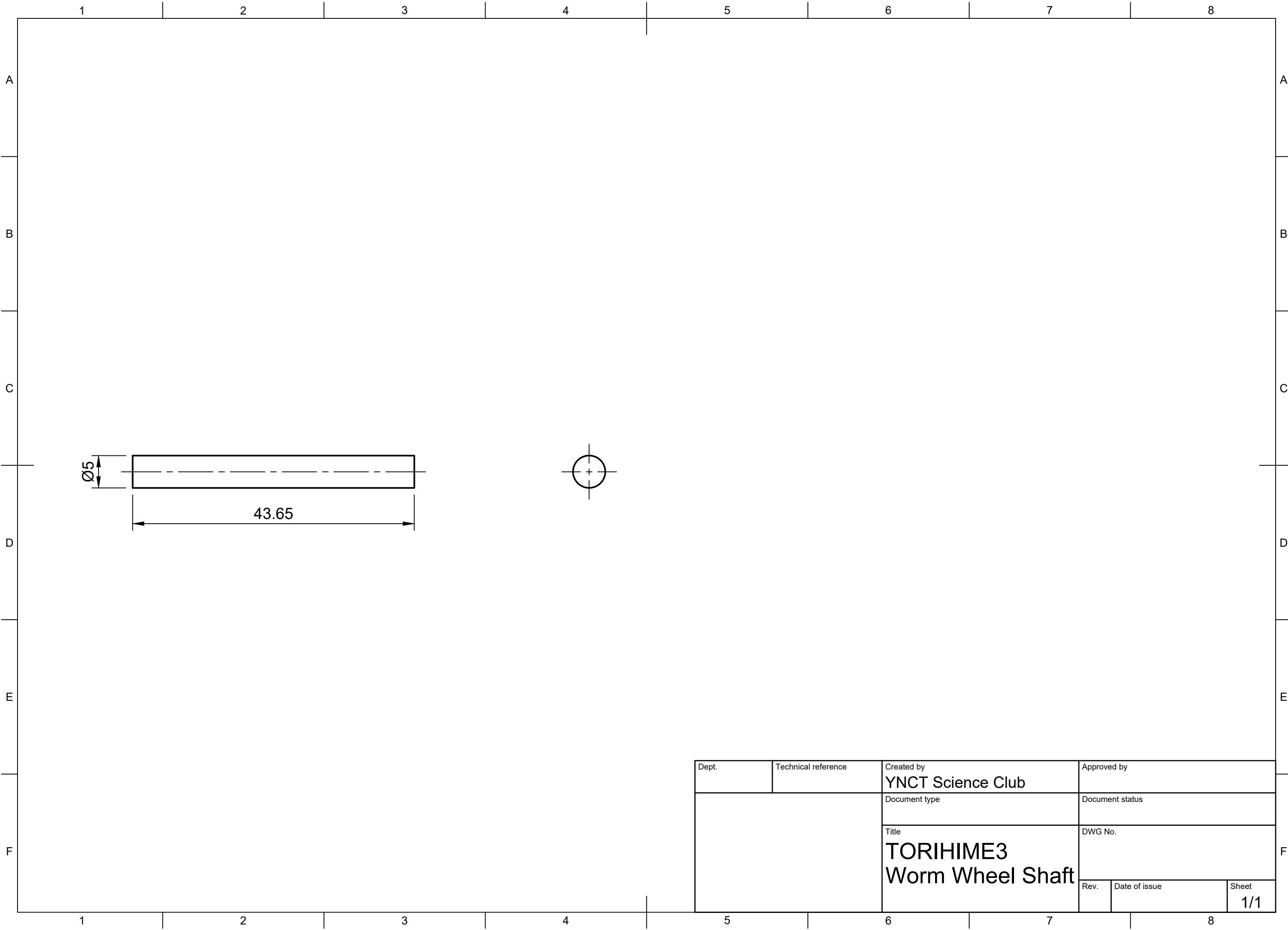
A-A (1:2)



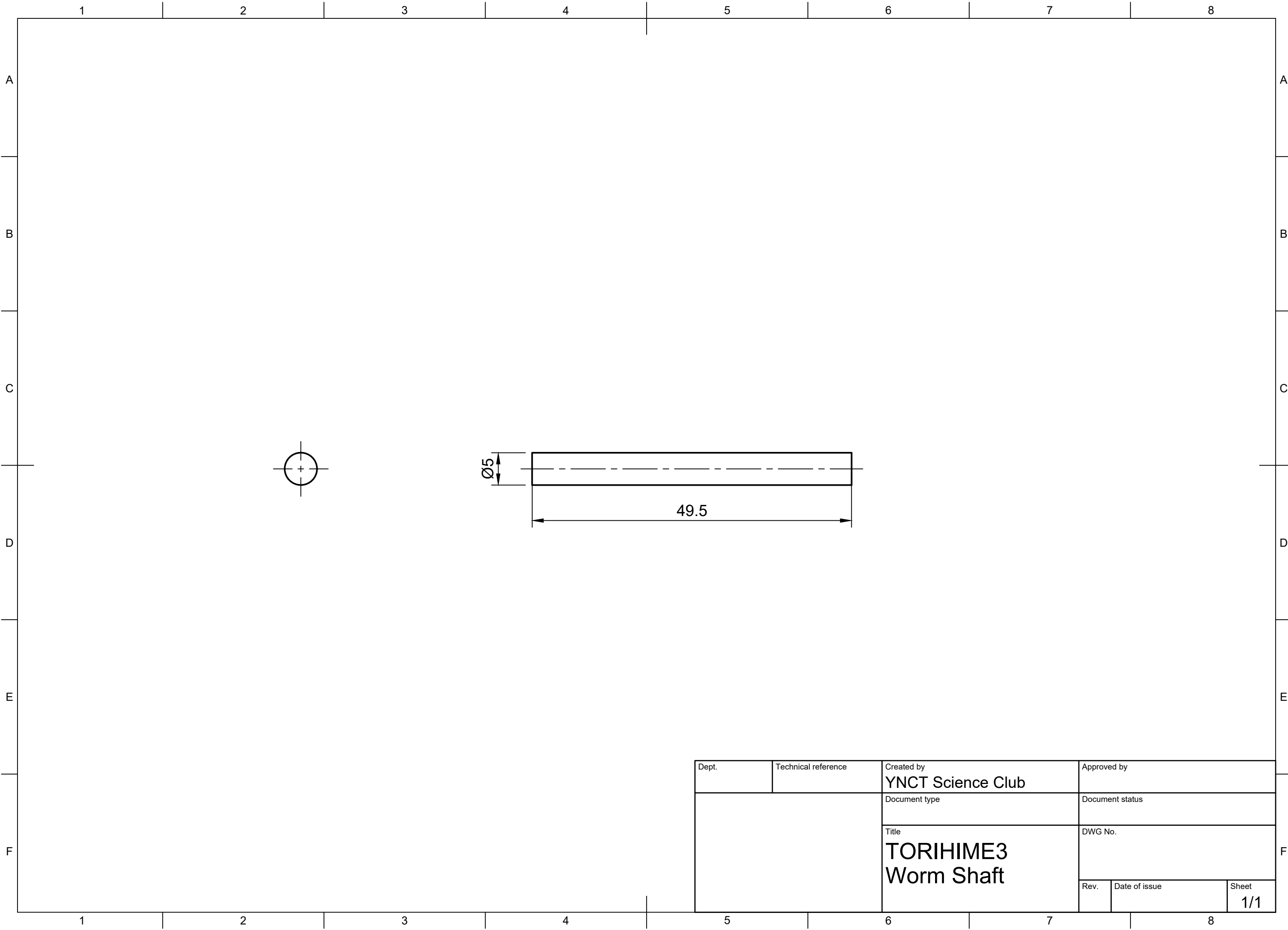
| | | | | |
|-------|---------------------|--|-----------------|---------------------|
| Dept. | Technical reference | Created by YNCT Science Club | Approved by | |
| | | Document type | Document status | |
| | | Title TORIHIME3 Assembly Drawing | DWG No. | |
| | | Rev. | Date of issue | Sheet 1/1 |



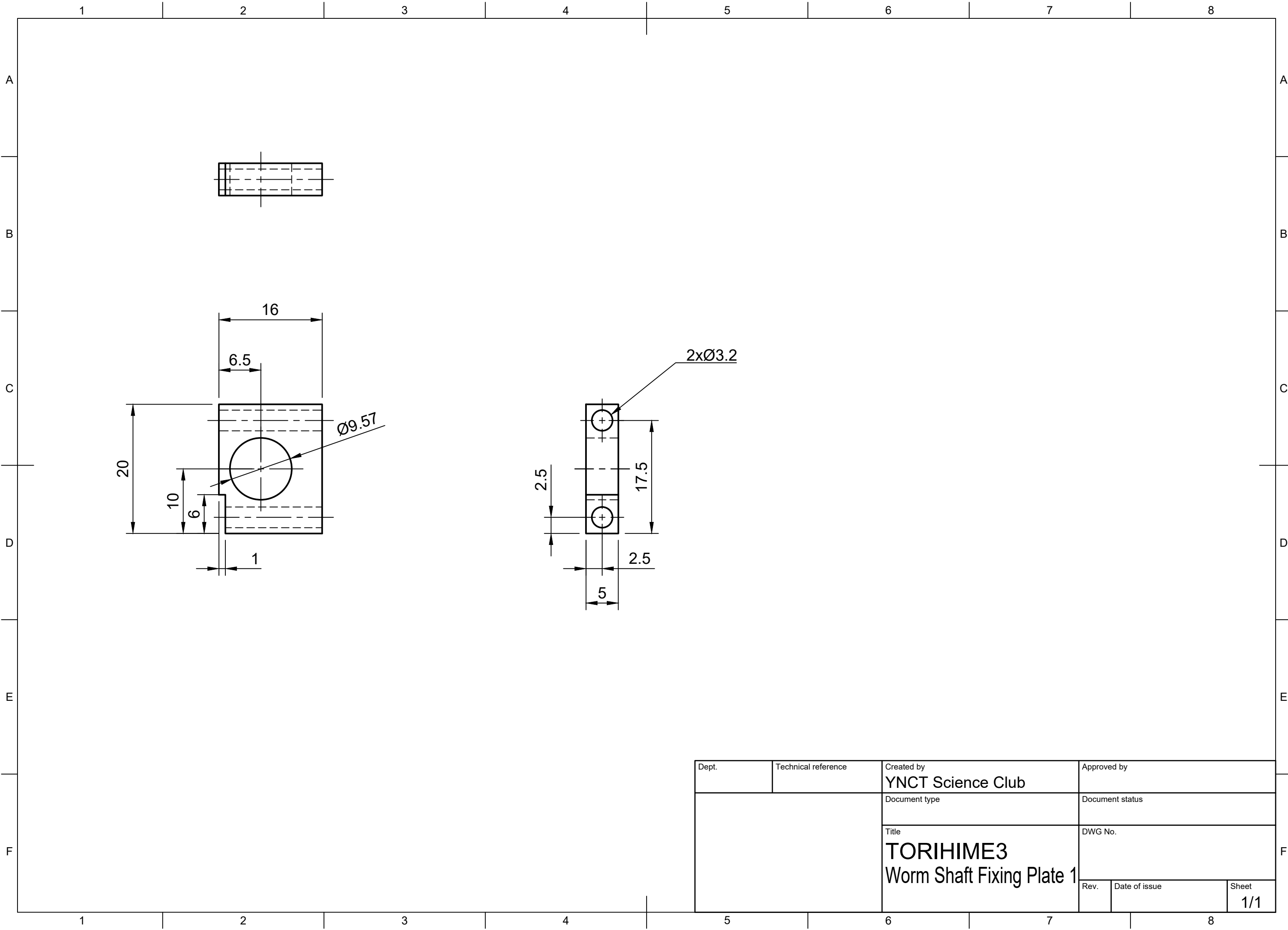
| | | | |
|-------|---------------------|---|-----------------|
| Dept. | Technical reference | Created by YNCT Science Club | Approved by |
| | | Document type | Document status |
| | | Title TORIHIME3 Worm Wheel Fixing Plate | DWG No. |
| | | Rev. | Date of issue |
| | | Sheet 1/1 | |



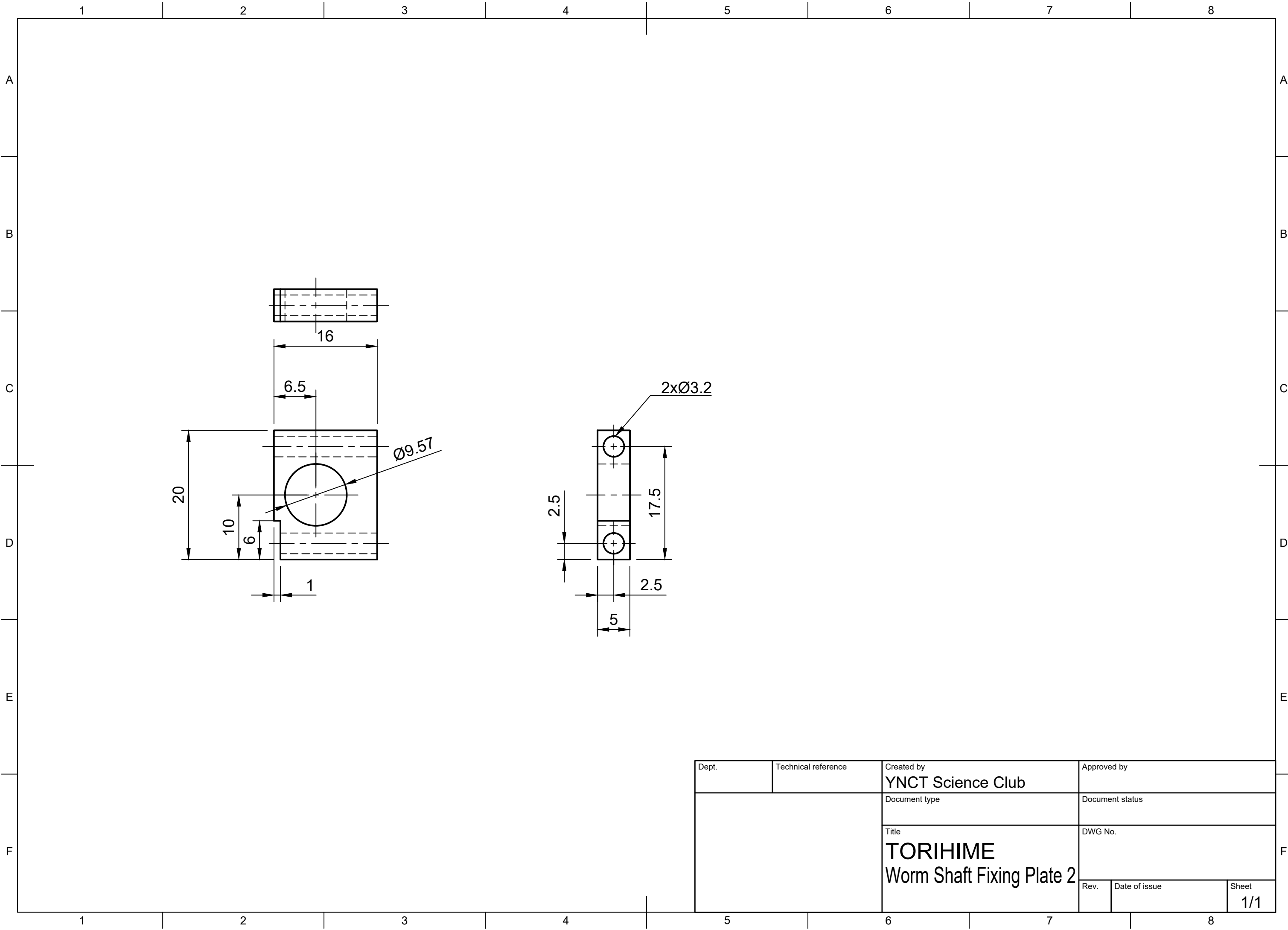
| | | | | |
|-------|---------------------|--|-----------------|------------|
| Dept. | Technical reference | Created by YNCT Science Club | Approved by | |
| | | Document type | Document status | |
| | | Title TORIHIME3 Worm Wheel Shaft | DWG No. | |
| | Rev. | Date of issue | Sheet | 1/1 |



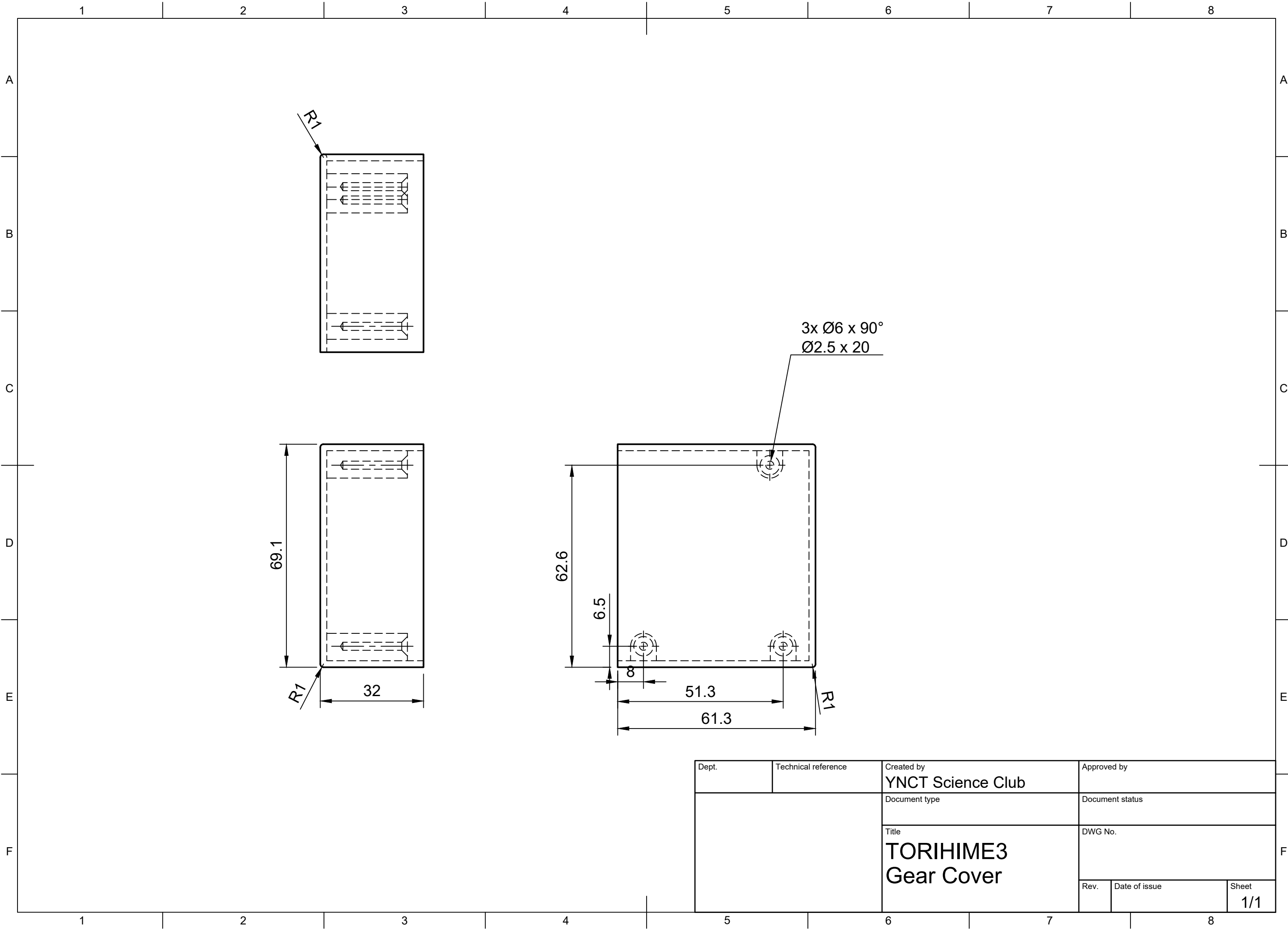
| | | | | |
|-------|---------------------|--|-----------------|---------------------|
| Dept. | Technical reference | Created by YNCT Science Club | Approved by | |
| | | Document type | Document status | |
| | | Title TORIHIME3 Worm Shaft | | DWG No. |
| | | Rev. | Date of issue | Sheet 1/1 |



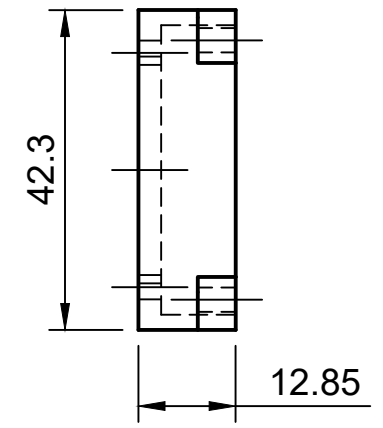
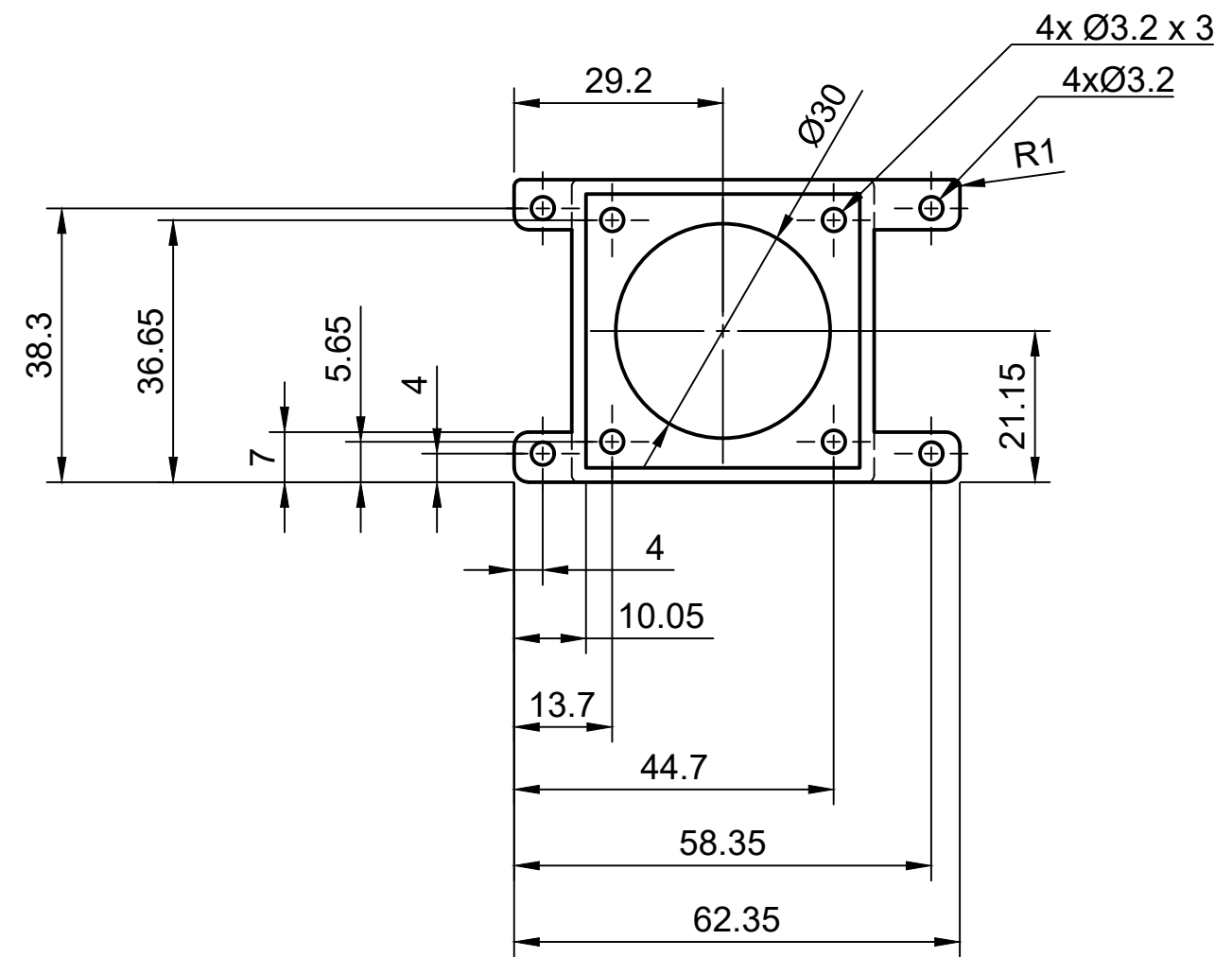
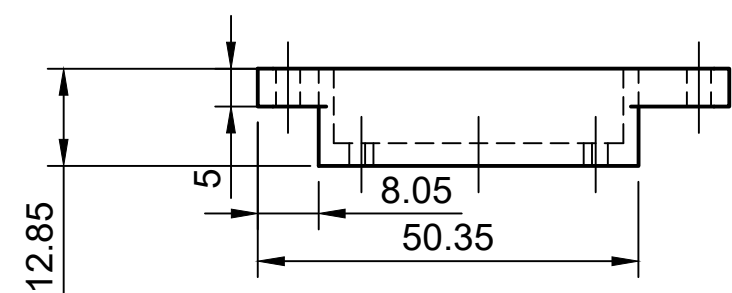
| | | | | |
|-------|---------------------|---|-----------------|------------|
| Dept. | Technical reference | Created by YNCT Science Club | Approved by | |
| | | Document type | Document status | |
| | | Title TORIHIME3 Worm Shaft Fixing Plate 1 | DWG No. | |
| | Rev. | Date of issue | Sheet | 1/1 |



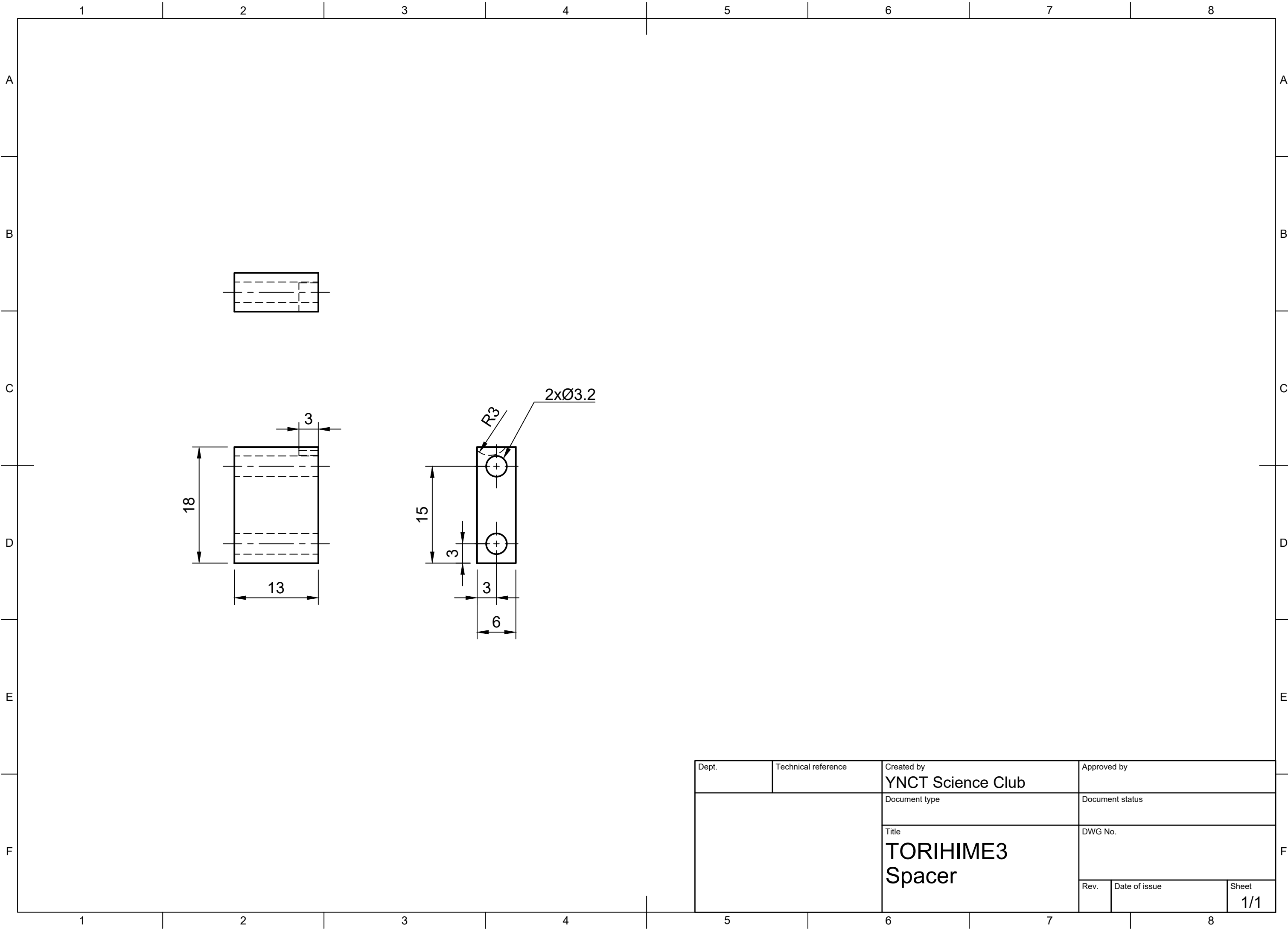
| | | | | |
|-------|---------------------|--|-----------------|---------------------|
| Dept. | Technical reference | Created by YNCT Science Club | Approved by | |
| | | Document type | Document status | |
| | | Title TORIHIME Worm Shaft Fixing Plate 2 | DWG No. | |
| | | Rev. | Date of issue | Sheet 1/1 |



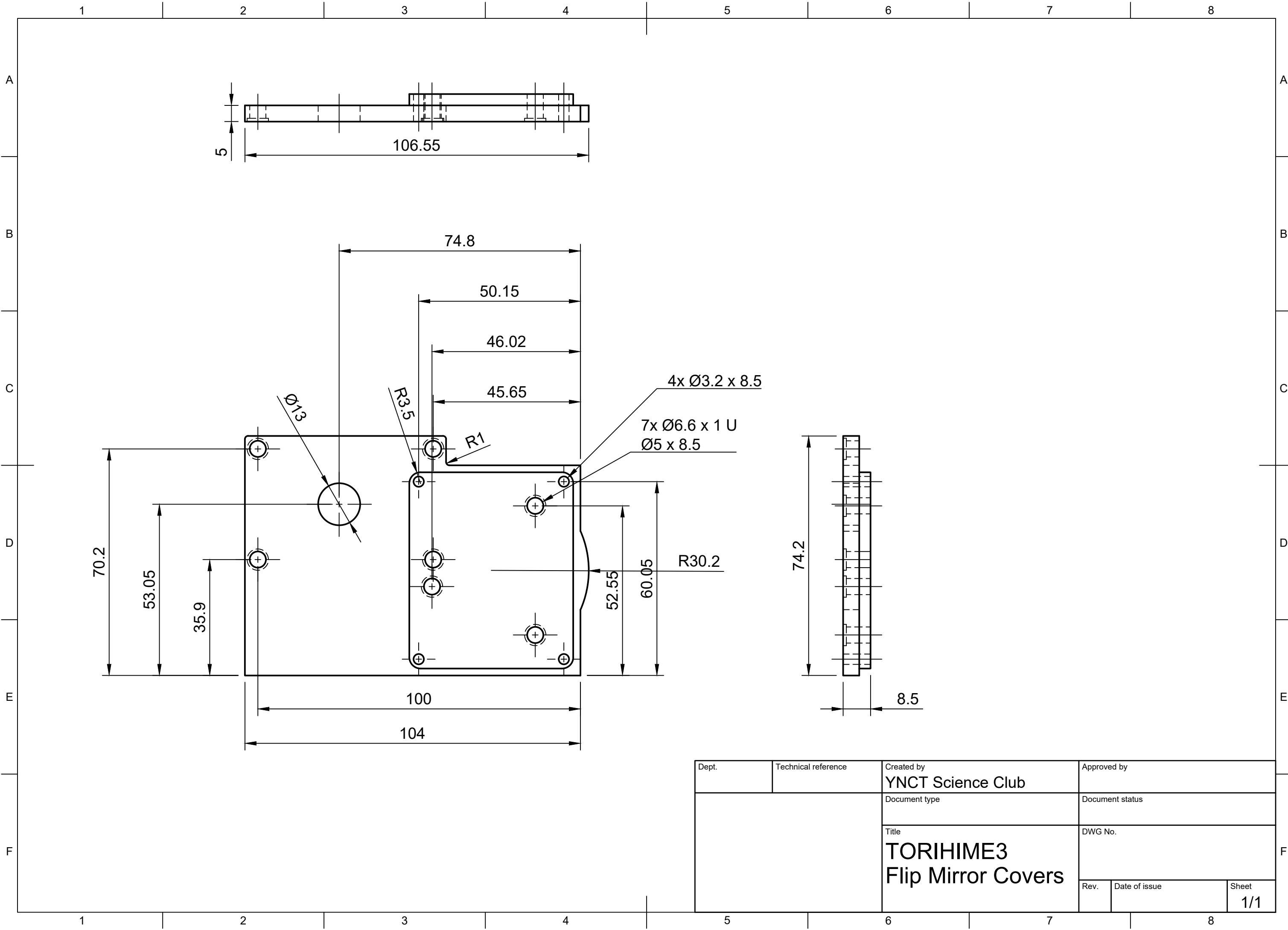
| | | | | |
|-------|---------------------|--|-----------------|---------------------|
| Dept. | Technical reference | Created by YNCT Science Club | Approved by | |
| | | Document type | Document status | |
| | | Title TORIHIME3 Gear Cover | DWG No. | |
| | | Rev. | Date of issue | Sheet 1/1 |



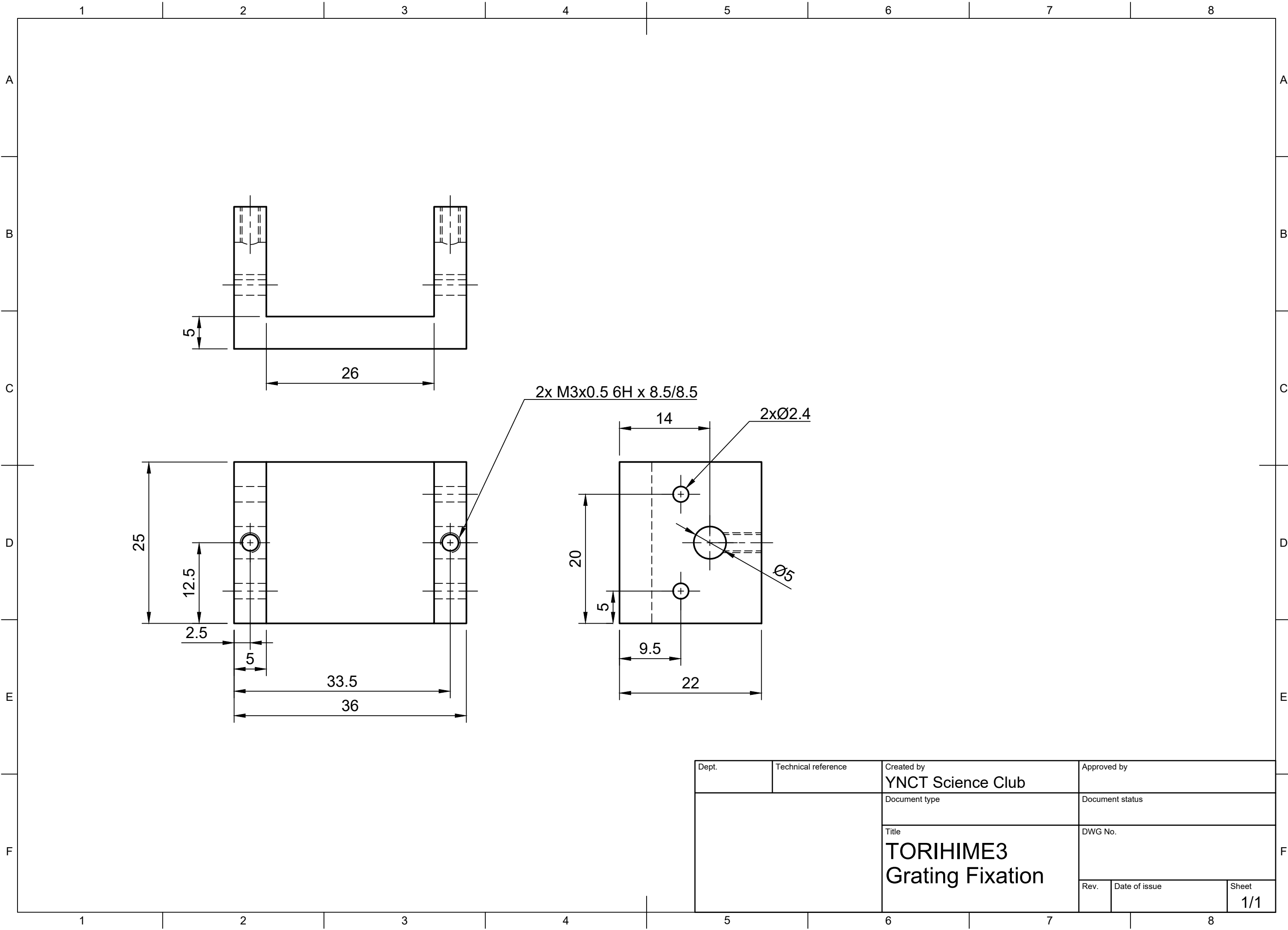
| | | | | |
|-------|---------------------|--|-----------------|------------|
| Dept. | Technical reference | Created by YNCT Science Club | Approved by | |
| | | Document type | Document status | |
| | | Title TORIHIME Motor Shaft Cover | DWG No. | |
| | Rev. | Date of issue | Sheet | 1/1 |



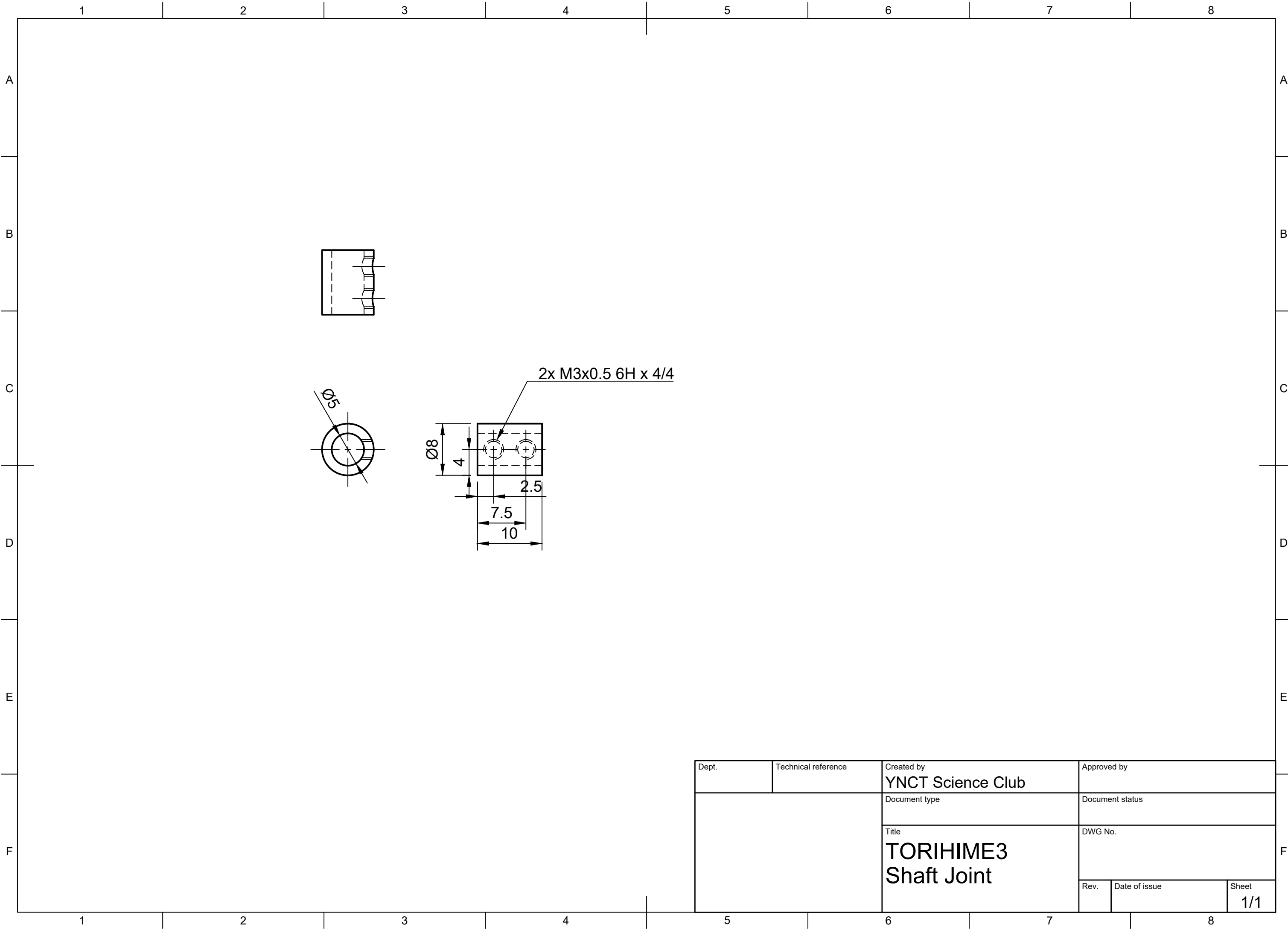
| | | | | |
|-------|---------------------|--|---------------------|--|
| Dept. | Technical reference | Created by YNCT Science Club | Approved by | |
| | | Document type | Document status | |
| | | Title TORIHIME3 Spacer | DWG No. | |
| | Rev. | Date of issue | Sheet 1/1 | |

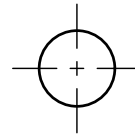
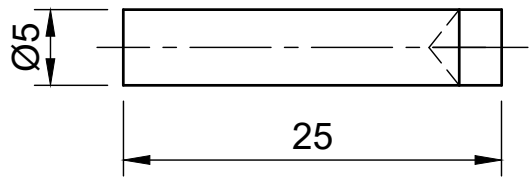


| | | | | |
|-------|---------------------|--|-----------------|--|
| Dept. | Technical reference | Created by YNCT Science Club | Approved by | |
| | | Document type | Document status | |
| | | Title TORIHIME3 Flip Mirror Covers | DWG No. | |
| Rev. | Date of issue | Sheet | 1/1 | |



| | | | |
|-------|---------------------|--|---------------------|
| Dept. | Technical reference | Created by YNCT Science Club | Approved by |
| | | Document type | Document status |
| | | Title TORIHIME3 Grating Fixation | DWG No. |
| Rev. | Date of issue | | Sheet 1/1 |





| | | | | |
|-------|---------------------|--|-----------------|---------------------|
| Dept. | Technical reference | Created by YNCT Science Club | Approved by | |
| | | Document type | Document status | |
| | | Title TORIHIME3 Shaft1 | DWG No. | |
| | | Rev. | Date of issue | Sheet 1/1 |